



**Electric
Self-
Propelled
Scissor Lift**

**GS-2046
GS-2646
GS-3246**

○ Satisfies your heavy lifting requirements with ease and efficiency.



Genie Industries

GS-2046
GS-2646
GS-3246

GS-2046, GS-2646 and GS-3246

- The solid steel deck platform has a **slip-resistant surface**.
- Heavy duty guardrails fold down quickly without tools for **increased accessibility**.
- **Lubrication-free, service-free pivot points**.
- **Built-in lanyard attachment points** are provided.
- The ergonomic Joystick Controller operates from the platform or the ground.
- **Low noise level** allows

operation in quiet work environments.

- High angle steering provides **excellent manoeuvrability**.
- Swing-out battery box and power module allow **easy access to components**.
- Variable speed motor **extends battery and motor life** by using only the energy needed to do the required work.

Standard Features

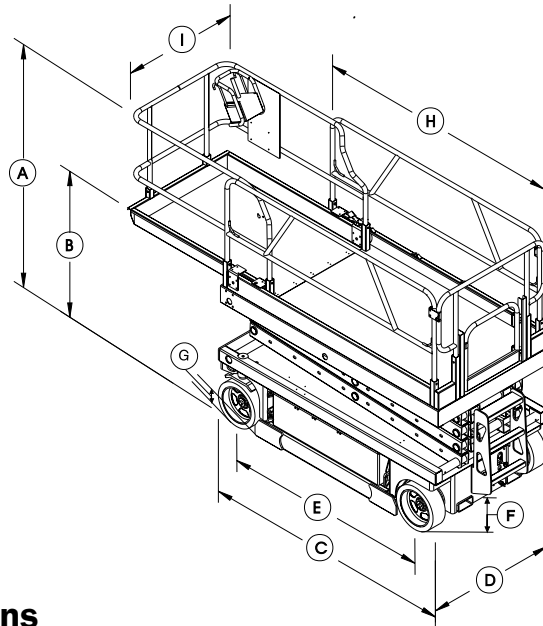
- 1 m (39 in) roll-out platform extension
- Proportional controls for lift and drive functions
- Multiple disc brakes provide smooth deceleration
- Manual platform lowering valve
- Tilt sensor with an audible alarm
- Pothole guards
- Emergency stop switches at both platform and ground controls
- Automatic 25 amp battery charger
- Manual brake release
- Non-marking tyres
- Hour meter

Options and Accessories

- Automotive horn
- Motion alarm
- Platform swing gate
- Air line to platform
- Dual flashing beacons
- Power inverter
- Maintenance-free battery

Standards Compliance

- ANSI/SIA A92.6
- CSA CAN3-B354.2-M82
- CE compliance option
- AS 1418.10



Specifications

Model	GS-2046		GS-2646		GS-3246	
	Metric	US	Metric	US	Metric	US
Working height	7.9 m	26 ft	9.75 m	32 ft	11.58 m	38 ft
Platform height	6.1 m	20 ft	7.9 m	26 ft	9.75 m	32 ft
Ⓐ Height - stowed (guardrails folded)	1.64 m	64 1/2 in	1.73 m	68 in	1.86 m	73 1/4 in
Height - stowed (guardrails)	2.18 m	86 in	2.28 m	89 3/4 in	2.4 m	94 7/8 in
Ⓑ Height - stowed (platform)	1.04 m	41 in	1.17 m	46 in	1.3 m	51 1/4 in
Ⓒ Length - stowed	2.44 m	96 in	2.44 m	96 in	2.44 m	96 in
Ⓓ Width	1.17 m	46 in	1.17 m	46 in	1.17 m	46 in
Ⓔ Wheelbase	1.85 m	73 in	1.85 m	73 in	1.85 m	73 in
Ⓕ Ground clearance - at machine centre	10 cm	4 in	10 cm	4 in	10 cm	4 in
Ⓖ Ground clearance - pothole guards deployed	2 cm	7/8 in	2 cm	7/8 in	2 cm	7/8 in
Ⓗ Platform length-stowed	2.26 m	89 in	2.26 m	89 in	2.26 m	89 in
Platform length-extended	3.25 m	128 in	3.25 m	128 in	3.25 m	128 in
Ⓙ Platform width	1.16 m	45 5/8 in	1.16 m	45 5/8 in	1.16 m	45 5/8 in
Roll-out platform extension	1 m	39 in	1 m	39 in	1 m	39 in
Lift capacity ANSI, CE	544 kg	1,200 lb	454 kg	1,000 lb	318 kg	700 lb
CSA	544 kg	1,200 lb	454 kg	1,000 lb	227 kg	500 lb
Extension deck lift capacity	113 kg	250 lb	113 kg	250 lb	113 kg	250 lb
Turning radius outside	2.34 m	92 in	2.34 m	92 in	2.34 m	92 in
Turning radius inside	zero		zero		zero	
Power source	24V (4 6V 245AH batteries) (all models)					
Drive speed - stowed	3.5 km/h	2.2 mph	3.5 km/h	2.2 mph	3.5 km/h	2.2 mph
Drive speed - raised	0.8 km/h	0.5 mph	0.8 km/h	0.5 mph	0.8 km/h	0.5 mph
Raise/lower speed	30/28 sec		30/24 sec		57/40 sec	
Controls	proportional		proportional		proportional	
Tyres (solid rubber)	38x13x20 cm	15x5x8 in (all models)				
Gradeability	30%	30%	30%	30%	25%	25%
Drive	dual front wheel		dual front wheel		dual front wheel	
Multiple disc brakes	dual rear wheel		dual rear wheel		dual rear wheel	
Weight	1,961 kg	4,324 lb	2,107 kg	4,646 lb	2,800 kg	6,172 lb

Distributed By:

Genie Industries

○ **GENIE AUSTRALIA**
591 Boundary Road
Darra Qld 4076
P.O. Box 394
Richlands Qld 4077
Telephone **07 3375 1660**
Fax 07-3375-1002
<http://www.genielift.com>

○ **GENIE UNITED STATES**
18340 NE 76th Street
P.O. Box 97030
Redmond, Washington 98073-9730
Telephone **(425) 881-1800**
Toll Free in USA/Canada **800-536-1800**
Fax (425) 883-3475
<http://www.genielift.com>

○ **GENIE UNITED KINGDOM**
Brunel Drive, Newark
Nottinghamshire NG24 2EG
England
Telephone **(44) 01636-614700**
Fax (44) 01636-611090
<http://www.genielift.com>