

Specifications

MODELS GS™-1930

MEASUREMENTS	Metric	Imperial
Working height max*	7.6 m	25 ft
A Platform height max	5.8 m	19 ft
B Platform length - outside	1.6 m	64.4 in
extended	2.5 m	100 in
C Platform width - outside	74 cm	29.3 in
Guardrail height: CE	1.0 m	40 in
Roll-out platform extension	91 cm	3 ft
Toeboard height	15 cm	6 in
Height - stowed:		
D platform	1.0 m	3 ft 3.5 in
fixed rails	2.0 m	6 ft 7 in
rails lowered	1.9 m	6 ft 5 in
folding guardrails	2.1 m	6 ft 11 in
rails folded	1.7 m	5 ft 9 in
E Length - stowed	1.8 m	71.5 in
Length - stowed extended	2.7 m	9 ft
F Width	76.2 cm	30 in
G Wheelbase	1.3 m	52 in
H Ground clearance - centre	6.1 cm	2.4 in
I - with pothole guards deployed	1.9 cm	.8 in

PRODUCTIVITY

Lift capacity	227 kg	500 lbs
Drive speed - stowed	4.2 km/h	2.5 mph
Drive speed - raised	0.8 km/h	0.5 mph
Gradeability	25%	25%
Turning radius - inside	zero	zero
Turning radius - outside	1.5 m	61 in
Raise / lower speed	16 / 23 sec	16 / 23 sec
Controls	proportional	
Drive	dual front wheel	
Multiple disc brakes	dual rear wheel	
Tyres - solid non-marking	30 x 11 x 20 cm	12 x 4.5 x 8 in

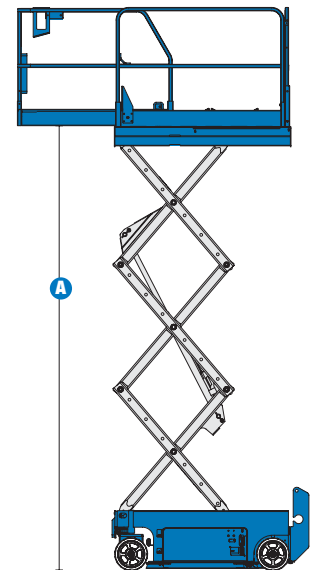
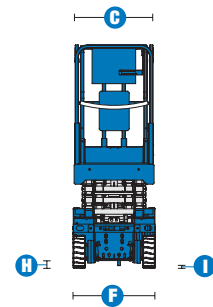
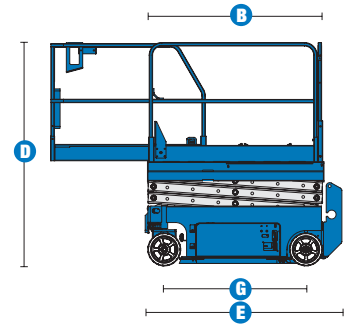
POWER

Power source	24 V (4 6 V 245 Ah batteries)	
Hydraulic system capacity	20.8 L	5.5 gal

WEIGHT**

	1,493 kg	3,291 lbs
--	----------	-----------

STANDARDS COMPLIANCE	
	CE EN280 AS1418.10



* The metric equivalent adds 2m to platform height, US adds 6ft to platform height.
** Weight will vary depending on options and/or country standards.

Features

STANDARD FEATURES

MEASUREMENTS

GS™-1930

- 7.6 m (25 ft) working height
- Up to 227 kg (500 lb) lift capacity

PRODUCTIVITY

- 91 cm (3 ft) extension deck
- Proportional lift and drive
- Onboard diagnostic system
- AC power to platform
- Electric horn
- Tilt level sensor
- Descent alarm
- Hour meter
- Multiple disc brakes
- Brake release
- Emergency stop at both platform and ground controls
- Manual platform lowering valve
- Pothole guards
- Solid non-marking tyres
- Automatic battery charger
- Dual flashing light
- Platform swing gate
- Motion alarm
- Air line to platform
- Ground controls cover



Genie Australia

591 Boundary Road, Darra, Qld 4076
PO Box 394, Richlands, Qld 4077
Tel: + 61 7 3375 1660
Toll Free In Australia: 1800 331 660
Fax: + 61 7 3375 1002

European Offices

UK

The Maltings
Wharf Road
Grantham NG31 6BH
UK
Tel: +44 (0)1476 584333
Fax: +44 (0)1476 584334

France

10, ZA de la Croix St. Mathieu
28320 Gallardon
France
Tel: +33 (0)2 37 26 09 99
Fax: +33 (0)2 37 26 09 98

Germany

Finienweg 3
28832 Achim/Bremen
Germany
Tel: +49 (0)4202 8852-0
Fax: +49 (0)4202 8852-25

Spain

Gai`a 31, Pol. Ind. Pl`a d'en Coll
08110 Montcada i Reixac
Barcelona
Spain
Tel: +34 93 572 50 90
Fax: +34 93 572 50 91

Scandinavia

Tagenevägen 72
425 37 Hisings Kärra
Sweden
Tel: +46 31 57 51 00
Fax: +46 31 57 90 20

Genie United States

18340 NE 76th Street
P.O. Box 97030
Redmond, Washington 98073-9730
USA
Tel: +1 425 881-1800
Fax: +1 425 883-3475

WEB: www.genieindustries.com

Distributed By: